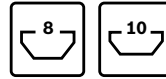


Door lock “multi-use” for swing and sliding doors

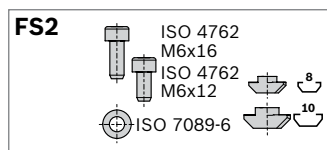
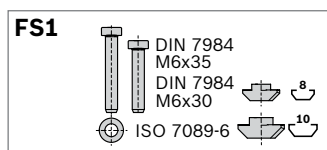
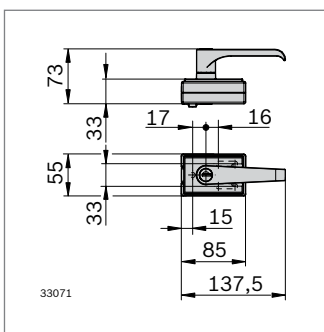


- ▶ Opening to the right and left
- ▶ For numerous profile combinations
- ▶ “Standard locking” variant with random key selection (each lock has a different key)
- ▶ “Uniform locking” variant always has the same key
- ▶ Version with door handle or as two-way lock
- ▶ Covered fastening screws
- ▶ Differing gap measurements for doors < 400 mm with modular dimensions up to 45 mm and < 600" mm for modular dimensions of 50 mm (see assembly instructions 3 842 554 184)
- ▶ Without profile finishing

Optional accessories:

Adapter plate for connecting to a WG40 or WG30 woven wire grille profile (p. 10-9)

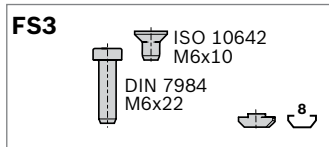
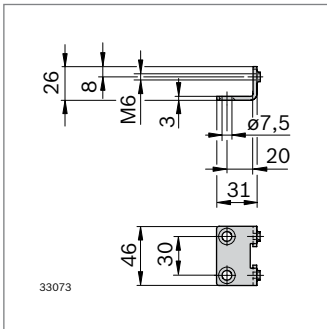
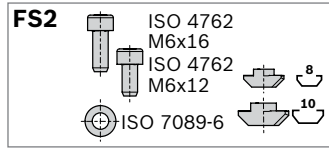
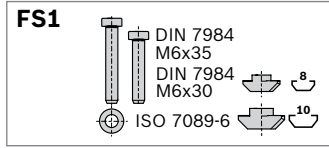
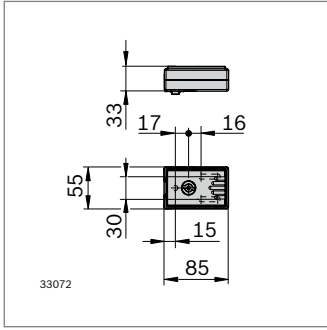
P1	P2	P2	P2	P2	P2
30	WG30/40	30	-	-	-
40	WG30/40	30	40	-	-
45	WG30/40	30	40	45	-
50	WG30/40	30	40	45	50
60	WG30/40	30	40	-	-



Door lock “multi-use” for swing and sliding doors	No.	FS
Standard locking	3 842 548 971	2xFS1, FS2
Uniform locking	3 842 548 970	2xFS1, FS2

Material: Housing: diecast zinc
 Door handle: PA6, black
 Cover: PP; signal gray RAL 7004
 Fastening material: steel; galvanized

Scope of delivery: incl. 3 keys, fastening material (FS)



Door lock "multi-use" for swing and sliding doors	No.	FS
---	-----	----

Two-way lock	3 842 548 965	2xFS1, FS2
---------------------	----------------------	------------

Material: Housing: diecast zinc
Cover: PP; signal gray RAL 7004 fastening material: steel; galvanized

Scope of delivery: incl. 1x two-way key, fastening material

Adapter plate	No.	FS
---------------	-----	----

EcoSafe	3 842 548 969	2xFS3
----------------	----------------------	-------

Material: steel; galvanized
Fastening material: steel; galvanized

Scope of delivery: Incl. fastening material